

Owner's Manual

15MF400T/37 Series
LCD TV

MAGNAVOX
SMART. VERY SMART.



NEED HELP? CALL US!

MAGNAVOX REPRESENTATIVES ARE READY TO HELP YOU WITH ANY QUESTIONS ABOUT YOUR NEW PRODUCT. WE CAN GUIDE YOU THROUGH CONNECTIONS, FIRST-TIME SETUP, AND ANY OF THE FEATURES. WE WANT YOU TO START ENJOYING YOUR NEW PRODUCT RIGHT AWAY.

**CALL US BEFORE YOU CONSIDER RETURNING THE PRODUCT.
1-800-705-2000**

OR VISIT US ON THE WEB AT WWW.USASUPPORT.MAGNAVOX.COM

Important!

Return your Warranty Registration Card within 10 days.



**RETURN YOUR PRODUCT REGISTRATION CARD TODAY
TO GET THE VERY MOST FROM YOUR PURCHASE.**

Registering your model with MAGNAVOX makes you eligible for all of the valuable benefits listed below, so don't miss out. Complete and return your Product Registration Card at once to ensure:

<p>*Proof of Purchase Returning the enclosed card guarantees that your date of purchase will be on file, so no additional paperwork will be required from you to obtain warranty service.</p>	<p>*Product Safety Notification By registering your product, you'll receive notification - directly from the manufacturer - in the rare case of a product recall or safety defect.</p>	<p>*Additional Benefits of Product Ownership Registering your product guarantees that you'll receive all of the privileges to which you're entitled, including special money-saving offers.</p>
--	---	--

MAGNAVOX
Congratulations on your purchase, and welcome to the "family!"

Dear MAGNAVOX product owner:
Thank you for your confidence in MAGNAVOX. You've selected one of the best-built, best-backed products available today. We'll do everything in our power to keep you happy with your purchase for many years to come.

As a member of the MAGNAVOX "family," you're entitled to protection by one of the most comprehensive warranties and outstanding service networks in the industry. What's more, your purchase guarantees you'll receive all the information and special offers for which you qualify, plus easy access to accessories from our convenient home shopping network.


Most importantly, you can count on our uncompromising commitment to your total satisfaction.


All of this is our way of saying welcome - and thanks for investing in a MAGNAVOX product.

P.S. To get the most from your MAGNAVOX purchase, you must return your Warranty Registration Card within 10 days. So please mail it to us right now!

Know these **safety** symbols



 This "bolt of lightning" indicates uninsulated material within your unit may cause an electrical shock. For the safety of everyone in your household, please do not remove product covering.

 The "exclamation point" calls attention to features for which you should read the enclosed literature closely to prevent operating and maintenance problems.

WARNING: To reduce the risk of fire or electric shock, this apparatus should not be exposed to rain or moisture and objects filled with liquids, such as vases, should not be placed on this apparatus.

CAUTION: To prevent electric shock, match wide blade of plug to wide slot, fully insert.

ATTENTION: Pour éviter les choc électriques, introduire la lame la plus large de la fiche dans la borne correspondante de la prise et pousser jusqu'au fond.

For Customer Use
Enter below the Serial No. which is located on the rear of the cabinet. Retain this information for future reference.
Model No. _____
Serial No. _____

MAGNAVOX Visit our World Wide Web Site at <http://www.usasupport.magnavox.com>



IMPORTANT SAFETY INSTRUCTIONS

The present set had been designed and manufactured to assure personal safety. Improper use can result in electric shock or fire hazard. The safeguards incorporated with the present unit will protect you if you observe the following procedures when installation, operating and servicing. The present unit is fully transistorized and does not contain any element that can be repaired by user.

Read Before Operating Equipment

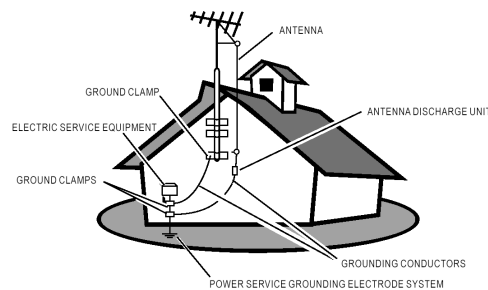
1. Keep these instructions.
2. Read all warnings.
3. Follow all instructions.
4. Do not use this apparatus near water.
5. Clean only with a dry cloth.
6. Do not block any of the ventilation openings. Install in accordance with the manufacturers instructions.
7. Do not install near any heat sources such as radiators, heat registers, stoves, or other apparatus (including amplifiers) that produce heat.
8. Do not defeat the safety purpose of the polarized or grounding type plug. A polarized plug has two blades with one wider than the other. A grounding type plug has two blades and third grounding prong. The wide blade or third prong is provided for your safety. When the provided plug does not fit into your outlet, consult an electrician for replacement of the obsolete outlet.
9. Protect the power cord from being walked on or pinched particularly at plugs, convenience receptacles, and the point where they exit from the apparatus.
10. Only use attachments/accessories specified by the manufacturer.
11. Use only with a cart, stand, tripod, bracket, or table specified by the manufacturer, or sold with the apparatus. When a cart is used, use caution when moving the cart/apparatus combination to avoid injury from tip-over.



12. The TV should be operated only from the type of power source indicated on the label. If you are not sure of the type of power supplied to your home, consult your dealer or local power company.
13. Unplug this apparatus during lightning storms or when unused for long periods of time.
14. Refer all servicing to qualified service personnel. Servicing is required when the apparatus has been damaged in any way, such as power-supply cord or plug is damaged, liquid has been spilled or objects have fallen into apparatus, the apparatus has been exposed to rain or moisture, does not operate normally, or has been dropped.
15. This product may contain mercury. Disposal of these materials may be regulated due to environmental considerations. For disposal or recycling information, please contact your local authorities or the Electronic Industries Alliance: www.eiae.org



16. **Damage Requiring Service** – The appliance should be serviced by qualified service personnel when:
- A. The power supply cord or the plug has been damaged; or
 - B. Objects have fallen, or liquid has been spilled into the appliance; or
 - C. The appliance has been exposed to rain; or
 - D. The appliance does not appear to operate normally or exhibits a marked change in performance; or
 - E. The appliance has been dropped, or the enclosure damaged.
17. **Tilt/Stability** – All televisions must comply with recommended international global safety standards for tilt and stability properties of its cabinets design.
- Do not compromise these design standards by applying excessive pull force to the front, or top, of the cabinet, which could ultimately overturn the product.
 - Also, do not endanger yourself, or children, by placing electronic equipment/toys on the top of the cabinet. Such items could unsuspectingly fall from the top of the set and cause product damage and/or personal injury.
18. **Wall or Ceiling Mounting** – The appliance should be mounted to a wall or ceiling only as recommended by the manufacturer.
19. **Power Lines** – An outdoor antenna should be located away from power lines.
20. **Outdoor Antenna Grounding** – If an outside antenna is connected to the receiver, be sure the antenna system is grounded so as to provide some protection against voltage surges and built up static charges. Section 810 of the National Electric Code, ANSI/NFPA No. 70-1984, provides information with respect to proper grounding of the antenna and supporting structure grounding of the lead-in wire to an antenna-discharge unit, size of grounding connectors, location of antenna-discharge unit, connection to grounding electrodes and requirements for the grounding electrode. See Figure below.



EXAMPLE OF ANTENNA GROUNDING AS PER NATIONAL ELECTRICAL CODE

Note to the CATV system installer: This reminder is provided to call the CATV system installer's attention to Article 820-40 of the NEC that provides guidelines for proper grounding and, in particular, specifies that the cable ground shall be connected to the grounding system of the building, as close to the point of cable entry as practical.

21. **Objects and Liquid Entry** – Care should be taken so that objects do not fall and liquids are not spilled into the enclosure through openings.

TABLE OF CONTENT

INTRODUCTION

WELCOME/REGISTRATION OF YOUR TV	2
IMPORTANT SAFETY INSTRUCTIONS	3
TABLE OF CONTENT	5

INSTALLATION

PRESENTATION OF THE LCD TV	6-7
SUPPLIED ACCESSORIES	8
REMOTE CONTROL OPERATION	9
INSTALLING LCD TV ON THE WALL	10
GETTING STARTED	11
OSD SETTING	12
CONNECT VIDEO RECORDER	13
CONNECT CAMERA /CAMCORDER/ VIDEO GAME SET	13
CONNECT DVD PLAYER	14
CONNECT DIGITAL SET TOP BOX	14

TV SETUP MENU

TV CHANNEL INSTALLATION	15
CHANNEL EDIT	16
SLEEP TIMER	16
CLOSED CAPTION	17
CHANNEL LOCK	17-20

SOUND SETUP MENU	21-22
-------------------------------	-------

PICTURE SETUP MENU	23-24
---------------------------------	-------

PC SETUP MENU	25-26
----------------------------	-------


GENERAL INFORMATION

TIPS	27
CALL BEFORE SERVICE	28
GLOSSARY	29
PRODUCT SPECIFICATION	30-31
LIMITED WARRANTY	32

THANK YOU VERY MUCH FOR CHOOSING THE LCD TV.

WE RECOMMEND THAT YOU TAKE A FEW MINUTES TO READ CAREFULLY THROUGH THIS MANUAL BEFORE INSTALLING AND SWITCHING ON THE TV. PLEASE KEEP THIS MANUAL IN A SAFE PLACE FOR YOUR FUTURE REFERENCE.

The present set had been designed and manufactured to assure personal safety. Improper use can result in electric shock or fire hazard. The safeguards incorporated with the present unit will protect you if you observe the following procedures when installation, operating and servicing. The present unit is fully transistorized and does not contain any element that can be repaired by user.

 LAMP(S) INSIDE THIS PRODUCT CONTAIN MERCURY AND MUST BE RECYCLED OR DISPOSED OF ACCORDING TO LOCAL, STATE OR FEDERAL LAWS. FOR MORE INFORMATION, CONTACT THE ELECTRONIC INDUSTRIES ALLIANCE AT WWW.EIAE.ORG

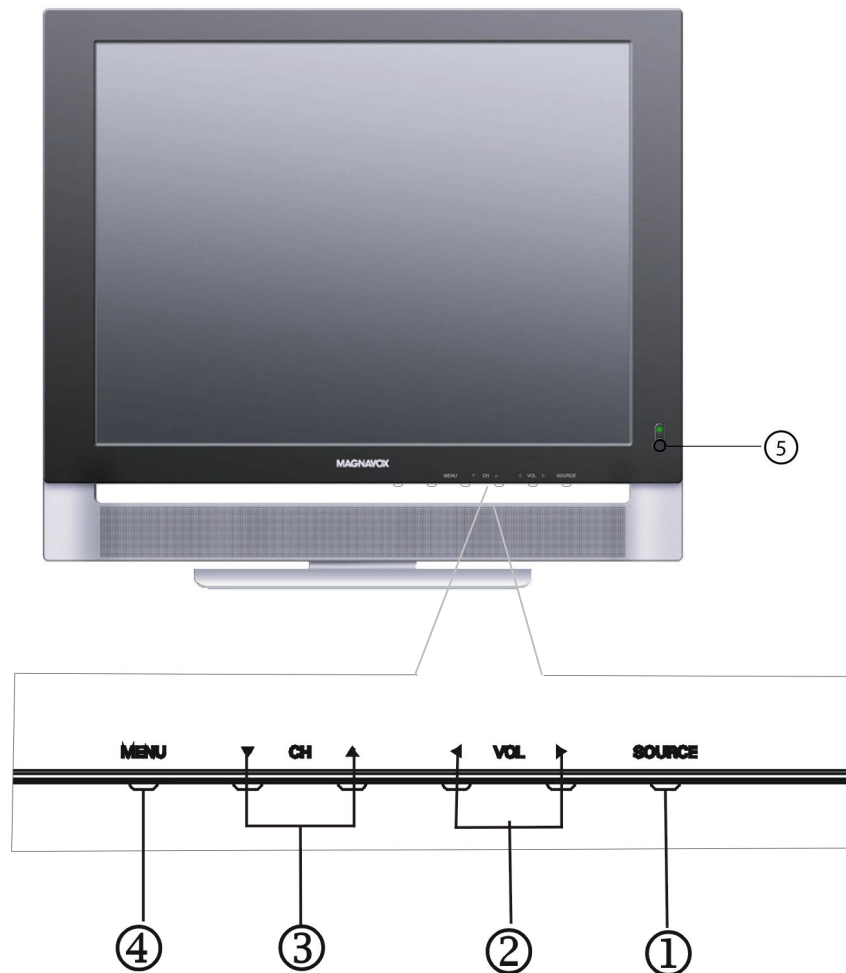


INSTALLATION

PRESENTATION OF THE LCD TV

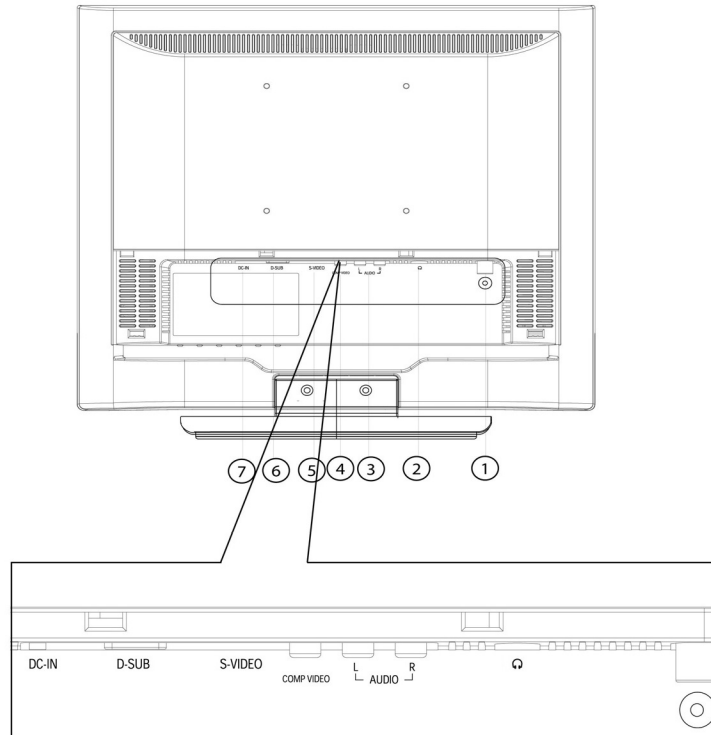
▪ Front Panel Control Knobs

- ① **Source Key** Press to select your input source.
- ② **> or < Key** Press to confirm your function selection and adjust the volume
- ③ **^ or v Key** Press to confirm your function selection and adjust TV channel
- ④ **MENU Key** Press to show the OSD menu and exit OSD menu at the TV.
- ⑤ **Power Key** Press to turn on or off the TV.



▪ **Preparation**

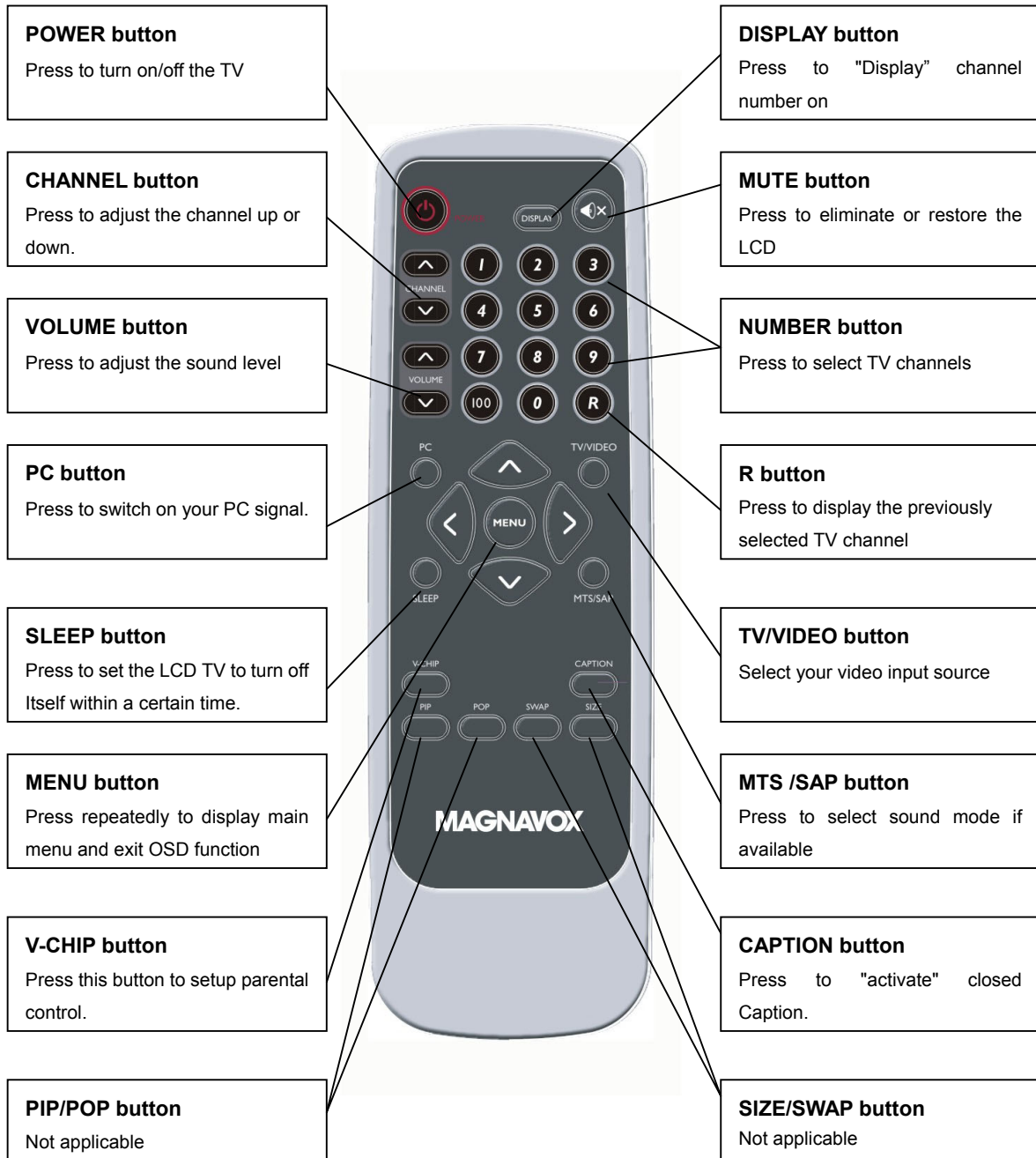
Remove the back plate at the back of the TV as shown on the illustration opposite. Lay the LCD TV with the screen down on a table, as it will be easier to connect your peripheral equipment. Please take precaution not to damage the screen.



English

- | | | |
|---|-------------------|---------------------------------|
| ① | | TV input |
| ② | | Earphone jack |
| ③ | Audio R/L | Audio Right /Left Channel input |
| ④ | COMP VIDEO | Video Input |
| ⑤ | S-VIDEO | S-VIDEO Input |
| ⑥ | D-SUB | PC Input |
| ⑦ | DC IN | 12V DC Power Input |

REMOTE CONTROL OPERATION

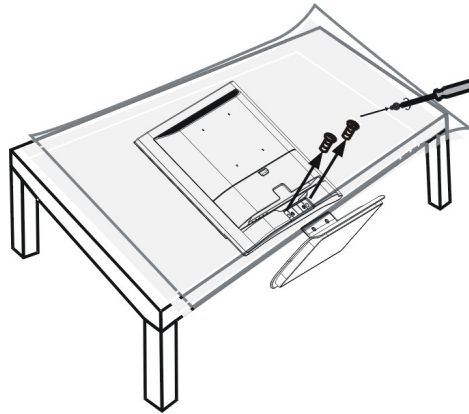


English

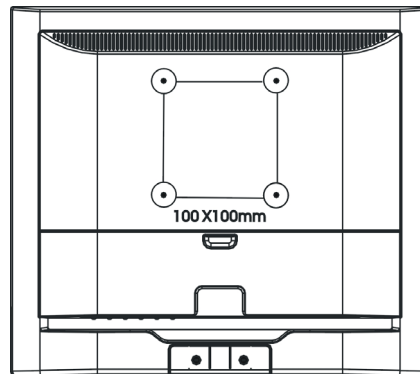
INSTALLING LCD TV ON THE WALL

Before you can install your LCD TV on the wall, you MUST first remove the base using the steps below:

1. Place the set facing down on a flat surface with a protective sheet or cloth the TV.
2. Remove two screws from the base, grasp the base and pull it out.

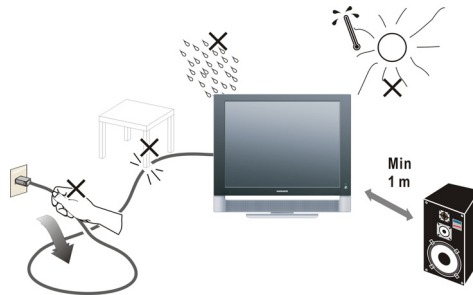


When installing the LCD TV on the wall, please consult a professional technician for proper installing.
The manufacture accepts no liability for installations not performed by professional technician.



GETTING STARTED

1. Place the TV on a sturdy surface.

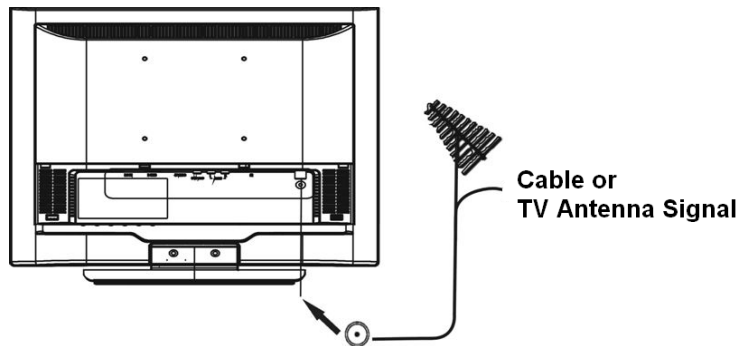


Note: Ensure that the TV is placed in a position to allow free flow of air. Do not cover the ventilation openings on the back cover.

To prevent any unsafe situations, no naked flame sources, such as lighted candles, should be placed on or in the vicinity.

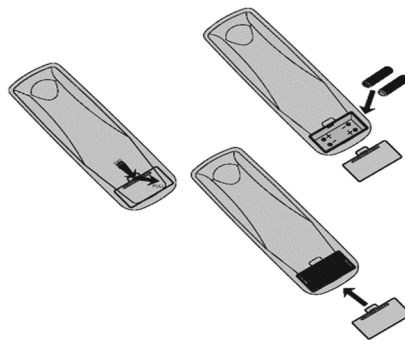
Avoid heat, direct sunlight and exposure to rain or water. The equipment shall not be exposed to dripping or splashing.

2. Connect the antenna to the TV jack on the rear of LCD TV



3. Battery Installation:

Remove the battery compartment lid. Place 2 AAA batteries in the remote.



4. Plug the DC adaptor into DC IN 12V jack on the LCD TV

Plug the power cable into an outlet and switch TV set on.

5. Press the POWER button to turn on the TV

6. Run the Auto Scan function to install your LCD TV channels (Refer to Page15)

OSD SETTING

1. Press “MENU” key to open OSD menu
2. Press > or < key to select “OSD Setup” option
3. Press ^ or v key to select submenu

OSD Setup



▪ Language

1. Press ^ or v key to select “Language” option
2. Press > or < key to select language
There are three kinds of language to select :English、 French and Spanish
3. After adjustment, press “MENU” key to exit or press ^ or v key to adjust other options

▪ H_Position

1. Press ^ or v key to select “H Position” option
2. Press > or < key to adjust OSD horizontal position
3. After adjustment, press “MENU” key to exit or press ^ or v key to adjust other options

▪ V_Position

1. Press ^ or v key to select “V_Position” option
2. Press > or < key to adjust OSD vertical position
3. After adjustment, press “MENU” key to exit or press ^ or v key to adjust other options

▪ Time_out

1. Press ^ or v key to select “Time_out” option
2. Press > or < key to adjust OSD display time
3. After adjustment, press “MENU” key to exit or press ^ or v key to adjust other options

▪ Background

1. Press ^ or v key to select “Background” option
2. Press > or < key to adjust OSD background
3. After adjustment, press “MENU” key to exit or press ^ or v key to adjust other options


▪ Information : This option can only be operated on PC signal source

1. Press ^ or v key to select “Information” option
2. Press > or < key then the screen will display the current input information
3. Press “MENU” key to exit information menu



CONNECT VIDEO RECORDER

How to connect:

1. Connect the antenna to VCR RF input
2. Connect the other RF cable from VCR output to TV input port (); if you connect the VCR to TV's AV input port (**COMP VIDEO**), you will get the better quality of video and audio
3. TV's AV input does not include audio; please connect VCR audio output to TV's audio input at **AUDIO L/R**

If your VCR is equipped with S-VHS video port:

For better picture quality, connect an S-Video signal with the S-VIDEO input on the TV instead of connecting to the AV input port (**COMP VIDEO**)

S-Video does not include audio, audio cables must be connected to TV audio input at **AUDIO L/R**

Watching VCR

1. If you use TV connection, select the TV channel search
2. If you use AV connection, select AV
3. If you use S-Video connection. Select s-video
4. Insert videotape in the VCR and press the PLAY button

CONNECT CAMERA /CAMCORDER/ VIDEO GAME SET

1. Connect the video output port of Camera /Camcorder/ Video Game Set to the TV's AV input port (**COMP VIDEO**)
2. Connect the left and right audio channels of Camera /Camcorder/ Video Game Set to the left and right channels of audio input at **AUDIO L/R** of TV

If your Camera /Camcorder/ Video Game Set is equipped with S-VHS video port:

For better picture quality, please connect the S-Video cable to the S-Video input of TV. Connect the left and right channels of Camera /Camcorder/ Video Game Set to the left and right channels of audio input at **AUDIO L/R** of TV

How to play

If you use AV connection, please select AV;

If you use S-Video connection, please select S-VIDEO;



CONNECT DVD PLAYER

1. Connect the video output port of DVD player to the AV input port (**COMP VIDEO**) of TV
2. Connect the left and right audio channels of DVD to the left and right channels of audio input at **AUDIO L/R** of TV

If your DVD player is equipped with S-VHS video port:

For better picture quality, please connect the S-Video cable to the S-Video input of TV. Connect the left and right channels of DVD to the left and right channels of audio input at **AUDIO L/R** of TV

How to play

If you use AV connection, please select AV;

If you use S-Video connection, please select S-VIDEO;

CONNECT DIGITAL SET TOP BOX

How to connect

1. Connect the video output port of Digital Set Top Box to the AV input port (**COMP VIDEO**) of TV
2. Connect the left and right audio channels of Digital Set Top Box to the left and right channels of audio input at **AUDIO L/R** of TV

How to use

1. Select AV.
2. Turn on the DTV Set Top Box set.

Note: In case you notice scrolling images, wrong colors or no color, no picture or even combinations of these, on your screen, check if the connections are done in the right way. Check if the cable colors match with the Input connector colors.

TV SETUP MENU

1. Press "MENU" key to open OSD menu
2. Press > or < key to select "TV Setup" option
3. Press ^ or v key to select submenu



Note: Air/Cable, Auto Scan, Current Program, Sleep Timer options can only display on TV Source

TV CHANNEL INSTALLATION

▪ Air/Cable

1. Press "MENU" key to open OSD menu
2. Press > or < key to select "TV Setup" option
3. Press ^ or v key to select "AIR/CATV" option
4. Press > or < key to select the automatic search system that your TV need, there are four options:
 - CATV: Community Antenna Television
 - AIR: Over the Air
 - HRC: Harmonically Related Carrier
 - IRC: Incrementally Related Carrier

5. Press "MENU" key to exit AIR/CATV menu or press ^ or v key to adjust other options

Note: Please run the auto scan function to setup the TV for the broadcast or cable channels available in your area. If you do not run the auto scan function to setup the channels, your television may not operate properly.

▪ Auto scan

Channel auto search and memorize all viewable channel.

1. Press "MENU" key to open OSD menu
2. Press > or < key to select "TV Setup" option
3. Press ^ or v key to select "Auto scan" option
4. Press > or < key to start auto scan.

Note: Please run the auto scan function to setup the TV for the broadcast or cable channels available in your area. If you do not run the auto scan function to setup the channels, your television may not operate properly.

CHANNEL EDIT

▪ Add/Eraser

1. Press "MENU" key to open OSD menu
2. Press > or < key to select "TV Setup" option
3. Press ^ or v key to select "Add/Eraser" option
4. Press > or < key to select Add or Erase.
5. Press "MENU" key to exit Add/Eraser menu or press ^ or v key to adjust other options

▪ Current Program

Current program is the channel set by the current TV, you can press "DISPLAY" key to display the current channel on the top right of the screen.



1. Press "MENU" key to open OSD menu
2. Press > or < key to select "TV SETUP" option
3. Press ^ or v key to select "Current Program" option
4. Press > or < key to select the channel.
5. Press "MENU" key to exit Current Program menu or press ^ or v key to adjust other options

You can also press the digital keys 0-9/100 or channel ^ or v on the remote control to select channel

SLEEP TIMER

1. Press "MENU" key to open OSD menu
2. Press > or < key to select "TV Setup" option
3. Press ^ or v key to select "Sleep Timer" option
4. Press > or < key to select the sleep timer that you need to set, you can select 30/60/90/120 minutes sleep timer.
5. Press "MENU" key to exit sleep timer menu or press ^ or v key to adjust other options

Note: You can also press "SLEEP" on the remote control, the sleep timer will display on the top right of the screen.

CLOSED CAPTION

1. Press "MENU" key to open OSD menu
2. Press > or < key to select "TV SETUP" option
3. Press ^ or v key to select "Closed Caption" option
4. Press > or <key to set CC1~CC4 and TT1 and TT4.
5. Press "MENU" key to exit Closed Caption menu or press ^ or v key to adjust other options

You can also press "CAPTION" on the remote control, enter Closed Caption menu directly, then press step 4 to adjust.



Caption Mode: CC1~CC4

Dialogue (and descriptions) for the action on the captioned TV program shows on screen.

Text Mode: TT1~TT4

Often used for channel guide, schedules, bulletin board information for Closed Caption programs, news, weather information or stock marker reports.

Note: Not all Closed Caption modes are necessarily being use by a TV channel during the transmission of a Closed Caption program.

CHANNEL LOCK

• V-Chip

It is the parental control function (V-chip). It is used to block program viewing based on the ratings by the broadcaster. The default setting is to allow all programs to be viewed. Viewing can be blocked by the type of program and by the categories chosen be blocked. It is also possible to block all program viewing for a time period.

1. Press "MENU" key to open OSD menu
2. Press > or < key to select "TV Setup" option
3. Press ^ or v key to select "V _CHIP" option
4. Press > or < key to enter V _CHIP password validation menu.

You can press V-CHIP key on the remote control to enter the menu directly.



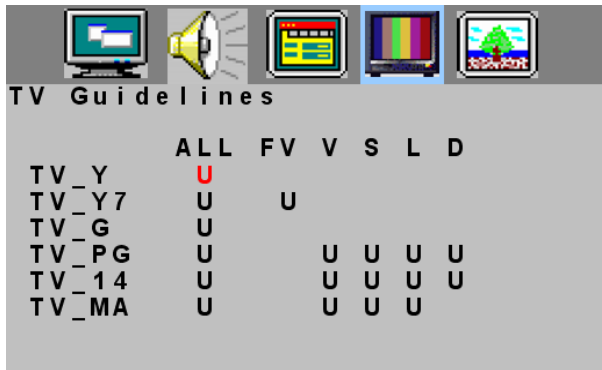
Press digital keys on the remote control; enter the password to go into V-CHIP control menu
(Default pass code for V-Chip: 0711 and should press twice time)
If your password is error, then the screen will display "PIN ERROR".



5. After enter the V-CHIP menu, press \wedge or \vee key to select, if you want to set V_CHIP, you need to set the "Status" on the condition of "ON".



- 1) Press \wedge or \vee key to select "Status" option
 - 2) Press $>$ or $<$ key to select "ON" or "OFF"
6. TV Guidelines Setting
- 1) Press \wedge or \vee key to select "TV Guidelines" option
 - 2) Press $>$ or $<$ key to enter "TV Guidelines" menu
 - 3) Press \wedge or \vee key to select block item.
 - 4) Press $>$ or $<$ key to select U or B, selecting U means "Unlock", selecting B means "Block".
 - 5) If the setting is OK, press "MENU" key to exit TV Guidelines menu.



7. Movie Guidelines Setting

- 1) Press \wedge or \vee key to select "Movie Guidelines" option.
- 2) Press $>$ or $<$ key to enter Movie Guidelines menu.
- 3) Press \wedge or \vee key to select block item.
- 4) Press $>$ or $<$ key to select U or B, selecting U means "Unlock", selecting B means "Block".
- 5) If the setting is OK, press "MENU" key to exit Movie Guidelines menu.



8. Change PIN

- 1) Press \wedge or \vee key to select "Change PIN" option
- 2) Press $>$ or $<$ key to enter Change PIN menu.
- 3) Press digital keys on the remote control, and then enter the new password.



- 4) Enter the new password again, if the setting is OK, the display information as below, then it will exit the Change PIN menu automatically.



▪ **Reset To Default**

1. Press "MENU" key to open OSD menu.
2. Press > or < key to select any Setup options
3. Press ^ or v key to select "Reset To Default" option.
4. Press > or < key to reset.

Reset To Default is convenient for all settings in the user OSD to recall to factory default data.

Note: The reset to default function in each function item is the same under the signal source of AV/TV/S-VIDEO. When we select the Reset To Default in each function item under the PC signal source, it not only recall all data to default data, but also have an adjustment automatically.

SOUND SETUP MENU

1. Press "MENU" key to open OSD menu.
2. Press > or < key to select "Sound Setup" option
3. Press ^ or v key to select submenu.



English

▪ Volume

1. Press "MENU" key to open OSD menu.
 2. Press > or < key to select "Sound Setup" option.
 3. Press ^ or v key to select "Volume" option
 4. Press > or < key to adjust Volume data.
- You can also press Volume > or < key on the remote control to adjust volume.
5. Press "MENU" to exit or press ^ or v key to adjust others

▪ Bass

1. Press "MENU" key to open OSD menu.
2. Press > or < key to select "Sound Setup" option
3. Press ^ or v key to select "Bass" option.
4. Press > or <key to adjust Bass data.
5. Press "MENU" to exit or press ^ or v key to adjust others.

▪ Treble



1. Press "MENU" key to open OSD menu.
2. Press > or < key to select "Sound Setup" option
3. Press ^ or v key to select "Treble" option.
4. Press > or <key to adjust Treble data.
5. Press "MENU" to exit or press ^ or v key to adjust others.

▪ Balance

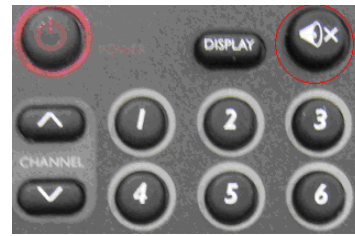
1. Press "MENU" key to open OSD menu.
2. Press > or < key to select "Sound Setup" option
3. Press ^ or v key to adjust "Balance" option.
4. Press > or < key to adjust "Balance" data.
5. Press "MENU" to exit or press ^ or v key to adjust others.

▪ Mute

1. Press "MENU" key to open OSD menu.
2. Press > or < key to select "Sound Setup" option
3. Press ^ or v key to select "Mute" option.
4. Press > or <key to select ON/OFF.

You can also press  key on remote control to select mute, after the selection you can adjust the volume or press  to cancel the Mute

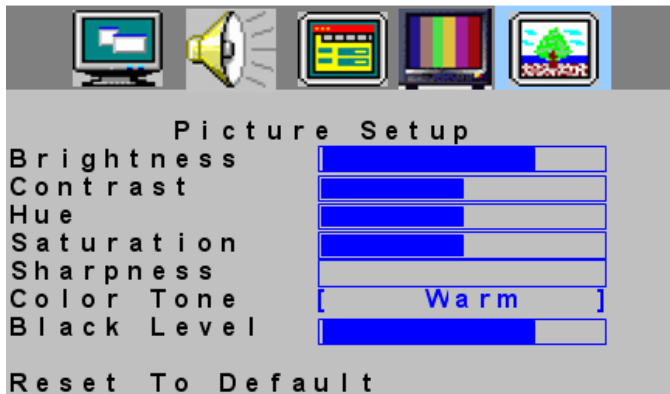
5. Press "MENU" to exit or press ^ or v key to adjust others.



PICTURE SETUP MENU

1. Press “MENU” key to open OSD menu.
2. Press > or < key to select “Picture Setup” option
3. Press ^ or v key to select submenu.

Note: Picture Setup menu can only be selected under the signal source of AV/TV/S-VIDEO.



▪ Brightness

1. Press “MENU” key to open OSD menu.
2. Press > or < key to select “Picture Setup” option
3. Press ^ or v key to select “Brightness” option.
4. Press > or < key to adjust Brightness data.
5. Press “MENU” to exit or press ^ or v key to adjust others

▪ Contrast

1. Press “MENU” key to open OSD menu.
2. Press > or < key to select “Picture Setup” option
3. Press ^ or v key to select “Contrast” option.
4. Press > or < key to adjust Contrast data.
5. Press “MENU” to exit or press ^ or v key to adjust others

▪ Hue

1. Press “MENU” key to open OSD menu.
2. Press > or < key to select “Picture Setup” option
3. Press ^ or v key to select “Hue” option.
4. Press > or < key to adjust Hue data.
5. Press “MENU” to exit or press ^ or v key to adjust others.

▪ Saturation

1. Press “MENU” key to open OSD menu.
2. Press > or < key to select “Picture Setup” option
3. Press ^ or v key to select “Saturation” option.
4. Press > or < key to adjust Saturation data.
5. Press “MENU” to exit or press ^ or v key to adjust others.



▪ Sharpness

1. Press "MENU" key to open OSD menu.
2. Press > or < key to select "Picture Setup" option
3. Press ^ or v key to select "Sharpness" option.
4. Press > or < key to adjust sharpness data.
5. Press "MENU" to exit or Press ^ or v key to adjust others.

▪ Color Tone

1. Press "MENU" key to open OSD menu.
2. Press > or < key to select "Picture Setup" option
3. Press ^ or v key to select "Color Tone" option.
4. Press > or < key to select warm or cool color
5. Press "MENU" to exit or press ^ or v key to adjust others.

▪ Black Level

1. Press "MENU" key to open OSD menu.
2. Press > or < key to select "Picture Setup" option
3. Press ^ or v key to select "Black Level" option.
4. Press > or < key to adjust Black level data.
5. Press "MENU" to exit or press ^ or v key to adjust others.

PC SETUP MENU

1. Press "MENU" key to open OSD menu.
2. Press > or < key to select "PC Setup" option
3. Press ^ or v key to select submenu



Note: PC Setup menu can only be selected under the PC signal source

▪ Brightness

1. Press "MENU" key to open OSD menu.
2. Press > or < key to select "PC Setup" option
3. Press ^ or v key to select "Brightness" option.
4. Press > or < key to adjust Brightness data.
5. Press "MENU" to exit or press ^ or v key to adjust others.

▪ Contrast

1. Press "MENU" key to open OSD menu.
2. Press > or < key to select "PC Setup" option
3. Press ^ or v key to select "Contrast" option.
4. Press > or < key to adjust contrast data.
5. Press "MENU" to exit or press ^ or v key to adjust others.

▪ H_Position

1. Press "MENU" key to open OSD menu.
2. Press > or < key to select "PC Setup" option
3. Press ^ or v key to select "H_position" option.
4. Press > or < key to adjust H_Position data.
5. Press "MENU" to exit or press ^ or v key to adjust others.

▪ V_Position

1. Press "MENU" key to open OSD menu.
2. Press > or < key to select "PC Setup" option
3. Press ^ or v key to select "V_Position" option.
4. Press > or < key to adjust "V_Position" data
5. Press "MENU" to exit or press ^ or v key to adjust others.

▪ Clock

1. Press "MENU" key to open OSD menu.
2. Press > or < key to select "PC Setup" option
3. Press ^ or v key to select "Clock" option.
4. Press > or < key to adjust Clock data
5. Press "MENU" to exit or press ^ or v key to adjust others.

▪ Phase

1. Press "MENU" key to open OSD menu.
2. Press > or <key to select "PC Setup" option
3. Press ^ or v key to select "Phase" option.
4. Press > or < key to adjust Phase data
5. Press "MENU" to exit or press ^ or v key to adjust others.

▪ Auto Adjustment

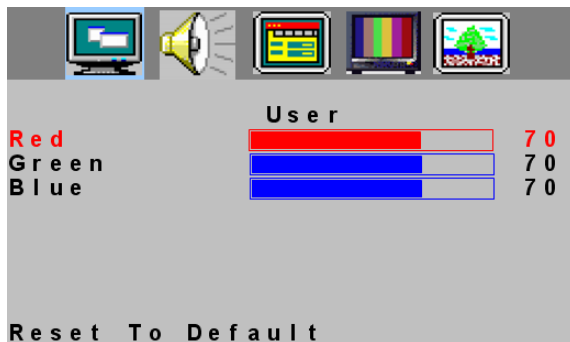
1. Press "MENU" key to open OSD menu.
2. Press > or <key to select "PC Setup" option
3. Press ^ or v key to select "Auto Adjustment" option.
4. Press > or <key to conduct Auto Adjustment, then PC will adjust automatically, if the adjustment is OK, it will exit OSD menu automatically

A t t e n t i o n
P C S E T U P
P l e a s e W a I t

▪ Color

1. Press "MENU" key to open OSD menu.
 2. Press > or < key to select "PC Setup" option
 3. Press ^ or v key to select "Color" option.
 4. Press > or <key to select Color
- If you choose Color as User, you can adjust R/G/B according to your need

- 1) Press "MENU" key to enter User Color menu.
- 2) Press ^ or v key to select Red/Green/Blue option.
- 3) Press > or < key to adjust Red/Green/Blue data
- 4) Press MENU TO exit to Color menu
- 5) Press ^ or v key to select other adjustment items, then press MENU to exit





General Information

Tips

Care of the screen

Do not rub or strike the screen with anything hard as this may scratch, mar, or damage the screen permanently.

Unplug the screen before cleaning the screen. Dust the TV by wiping the screen and the cabinet with a soft, clean cloth. If the screen requires additional cleaning, use a clean, damp cloth. Do not use liquid cleaners or aerosol cleaners.

Mobile telephone warning

To avoid disturbances in picture and sound, malfunctioning of your TV or even damage to the TV, keep away your mobile telephone from the TV.

End of life directives

We are paying a lot of attention to produce environmentally friendly in green focal areas. Your new LCD TV contains materials which can be recycled and reused.

At the end of its life specialized companies can dismantle the discarded LCD TV to concentrate the reusable materials and to minimize the amount of materials to be disposed of.

When you replace your existing equipment, please find out about the local regulation regarding disposal of your old television, batteries, and packing materials.

Before Call Service

Please make these simple checks before calling service. These tips may save you time and money since charges for receiver installation and adjustments of customer controls are not covered under your warranty.

Symptoms	Items to Check and Actions to follow
"Ghost " or double image	*This may be caused by obstruction to the antenna due to high rise buildings or hills. Using a highly directional antenna may improve the picture.
No power	*Check that the TV's AC power cord is plugged into the mains socket. *Unplug the TV, wait for 60 seconds. Then re-insert plug into the mains socket and turn on the TV again.
No picture	*Check antenna connections at the rear of the TV to see if it is properly connected to the TV. *possible broadcast station trouble. Try another channel. *Adjust the contrast and brightness settings. *Check the Closed Captions control. Some TEXT modes could block the screen.
Good picture but no sound	*Check the cable connection *Increase the VOLUME. *Check that the TV is not muted; press the button on the remote control.
Good sound but poor color	*Adjust the contrast, color and brightness settings.
Poor picture	*Sometimes, poor picture quality occurs when having activated an S-VHS camera or camcorder connected and having connected another peripheral at the same time. In this case, please connect power cords of other peripherals to a different power outlet.
Snowy picture and noise	*Check the antenna connection
Horizontal dotted line	*This may be caused by electrical interference (e.g. hairdryer, nearby neon lights, etc.) *Turn off the equipment.
Television not responding to remote control	*Check whether the batteries are working. Replace if necessary *Clean the remote control sensor lens on the TV. *Use the buttons at the front of your TV.

GLOSSARY

Audio / Video Inputs

Located on the rear and the front of the receiver these connectors (RCA photo type plug) are used for the input of audio and video signals. Designed for use with VCRs (or other accessories) in order to receive higher picture resolution and offer sound connection options.

S-Video Input

Allow directly connection of high-resolution video sources, such as a Super VHS videocassette recorder, Laser Disc player, etc. Provide improved picture resolution, sharpness, and clarity.

Composite Input

Allows direct connector of high-resolution video sources, such as DVD player, digital TV, etc, provides improved picture resolution, sharpness and clarity.

Audio output

Provide sound output, it can be connected external speaker, and enhance the sound quality.

Menu

An on-screen listing of feature control shows on the TV screen which is available for user adjustments.

Multichannel Television sound (MTS)

The broadcast standard that allow stereo sound to be transmitted with the TV picture.

RF

Radio Frequency or modulated signal design used as the carrier for television broadcasts.

Second Audio Program (SAP)

Another or additional audio channel provided for in the Multichannel Television Sound (MTS) broadcast standard. A monaural soundtrack included within the recorded or video signal (usually containing a second language translation for the displayed program).

Sleep Timer

The function which you can set a time period after the TV turns off.



PRODUCT SPECIFICATION

15MF400T/37

Item	Specification	
LCD Panel	Screen Size	15"
	Aspect Ratio	4:3
	Resolution	1024x768
	Brightness	250cd/m ² (typ.)
	Contrast Ratio	400:1
	Response Time	16ms
	Viewing Angle	left/right = 60°/60°
	Display Colors	16.7M
TV Function	TV Tuner	NTSC M
	Color System	NTSC
	Sound System	MTS + SAP
	Closed-Caption & V-chip	Yes
Video Input	Composite	x1
	S-Video	x1
	Color System	NTSC/PAL
PC Input	Signal Input	Analog
	Horizontal Frequency (kHz)	31.5~60
	Vertical Frequency (Hz)	56~75
	Max. Resolution	1024x768 @ 75Hz
	Recommended Resolution	1024x768 @ 60Hz
Audio Output	Built-in Speakers	2 x 2W (L/R)
	Headphone Output	Yes (3.5mmφ)
Power	Power Supply	+12V DC Input
	Adapter	100-240V AC, 50/60Hz
	Power Consumption (Max.)	Power on<50W, Off mode<2W
Video Feature	De-interlacer	2D de-interlacer
	Comb Filter	Adaptive 4H Y/C Separation
	3-2 Pull Down Recovery	Yes



Other Features	Wall Mount	VESA 100mm x 100mm
	Multi-Function Remote	Yes
	Sleep Timer	Yes
	Tilt Angle (front/back)	5°/15°
	OSD language	English/French(Canadian type)/Spanish
Dimension	with Stand(W x H x D)	371.6mm x 346 mm x 147.5mm
	without Stand (W x H x D)	371.6mm x 324mm x 47.5mm
	Carton (W x H x D)	434mm x 407mm x 192mm
Weight	Net, kg	3.5kg
	Loose, including package	5.0kg
Accessory	Remote controller, Batteriesx2, AC Power adapter, Power Cord User manual<English/French(Canadian type)/Spanish>, QSG Warranty Card <English only>,	

English



LIMITED WARRANTY



LCD TV

90 Days Free Labor

One Year Parts Exchange

This product must be carried in for service.

WHO IS COVERED?

You must have proof of purchase to receive warranty service. A sales receipt or other document showing that you purchased the product is considered proof of purchase.

WHAT IS COVERED?

Warranty coverage begins the day you buy your product. For 90 days thereafter, all parts will be repaired or replaced free, and labor is free. From 90 days to one year from the day of purchase, all parts will be repaired or replaced free, but you pay for all labor charges. After one year from the day of purchase, you pay for the replacement or repair of all parts, and for all labor charges.

All parts, including repaired and replaced parts, are covered only for the original warranty period. When the warranty on the product expires, the warranty on all replaced and repaired parts also expires.

WHAT IS EXCLUDED?

Your warranty does not cover:

- labor charges for installation or setup of the product, adjustment of customer controls on the product, and installation or repair of antenna systems outside of the product.
- product repair and/or part replacement because of misuse, accident, unauthorized repair or other cause not within the control of Magnavox.
- reception problems caused by signal conditions or cable or antenna systems outside the unit.
- a product that requires modification or adaptation to enable it to operate in any country other than the country for which it was designed, manufactured, approved and/or authorized, or repair of products damaged by these modifications.
- incidental or consequential damages resulting from the product. (Some states do not allow the exclusion of incidental or consequential damages, so the above exclusion may not apply to you. This includes, but is not limited to, prerecorded material, whether copyrighted or not copyrighted.)
- a product used for commercial or institutional purposes.

WHERE IS SERVICE AVAILABLE?

Warranty service is available in all countries where the product is officially distributed by Magnavox. In countries where Magnavox does not distribute the product, the local Magnavox service organization will attempt to provide service (although there may be a delay if the appropriate spare parts and technical manual(s) are not readily available).

This warranty gives you specific legal rights. You may have other rights which vary from state/province to state/province.

MAKE SURE YOU KEEP...

Please keep your sales receipt or other document showing proof of purchase. Attach it to this owner's manual and keep both nearby. Also keep the original box and packing material in case you need to return your product.

BEFORE REQUESTING SERVICE...

Please check your owner's manual before requesting service. Adjustments of the controls discussed there may save you a service call.

TO GET WARRANTY SERVICE IN U.S.A., PUERTO RICO, OR U.S. VIRGIN ISLANDS...

Contact a Magnavox factory service center (see enclosed list) or authorized service center to arrange repair. (In U.S.A., Puerto Rico, and U.S. Virgin Islands, all implied warranties, including implied warranties of merchantability and fitness for a particular purpose, are limited in duration to the duration of this express warranty. But, because some states do not allow limitations on how long an implied warranty may last, this limitation may not apply to you.)

TO GET WARRANTY SERVICE IN CANADA...

Please contact Magnavox at:

1-800-705-2000

(In Canada, this warranty is given in lieu of all other warranties. No other warranties are expressed or implied, including any implied warranties of merchantability or fitness for a particular purpose. Magnavox is not liable under any circumstances for any direct, indirect, special, incidental or consequential damages, howsoever incurred, even if notified of the possibility of such damages.)

REMEMBER...

Please record below the model and serial numbers found on the product. Also, please fill out and mail your warranty registration card promptly. It will be easier for us to notify you if necessary.

MODEL # _____

SERIAL # _____

Magnavox, P.O. Box 671539, Marietta, Ga. 30006-0026